

Global Service Network-Overseas Area

IFE Elevators & Escalators (Russia)

Tel: +7(926)-894-81-96 Email: ru@ifelift.com
Address: SK Plaza, Dmitrovskoe Road 163ak2, Moscow, Russia

M/s IFE MIDDLE EAST ELEVATORS LLC

Tel: +971(0)42505888 Email: ae@ifelift.com
Address: 502# Sapphire Tower, Ittihad Road ,Deira Dubai, UAE

IFE Elevators & Escalators (Australia) Pty Ltd

Tel: +61(0)8 9202 4666 Email: au@ifelift.com
Address: 36 Beringarra Avenue Malaga WA 6090

PT.IFE ELEVATORS INDONESIA

Tel: +62 21 22604802 Email: ifeindo@ifelift.com
Address: The Mansion Dukuh Golf Kemayoran Tower Fontana Lt.21 Unit L2 & m2,
JI Trembesi Blok D4 Pademangan Timur Pademangan Jakarta Utara Dki Jakarta 14410

IFE ELEVATORS LANKA

Tel: +94112686867 Email: SI@ifelift.com
Address: 158/9 Lake Drive colombo 08 Sri lanka

Office in Singapore

Tel: +86 13929229955
Address: 23 Genting Road #07-01/02 Chevalier House Singapore 349481



IFE ELEVATORS CO.,LTD

China Factory: Qingxi Town, Dongguan City, Guangdong
Tel: +86-769-82078888 Fax: +86-769-87732448
Hotline: 400-6789-443 Website: www.ife.cn

The image and content are just for you reference and please be subject to the actual products. Please pardon us for not informing you in advance if anything updated.
Please contact IFE for details.

202001 © All Rights Reserved @ IFE



METIS-CR1 Compact Machine Room Passenger Elevator

Trusted by the World
Stock code: 002774





PEOPLE-ORIENTED, CONVERGE OF IFE INNOVATIVE TECHNOLOGY

SAFE, COMFORT AND EFFICIENT EXPERIENCE BY HUMAN TECHNOLOGY

METIS-CR1 is a new-generated product of the classic compact machine room of the IFE elevator, inheriting the concept of safety, comfort, energy-saving and environmental friendly. Satisfying the high-efficient operation requirements of various types of buildings such as residential buildings, office buildings and hotels for providing passengers with an efficient enjoyment.



2.5m/s					
2.0m/s					
1.75m/s					
1.0m/s					
	630kg	800kg	1050kg	1350kg	1600kg

Building a Harmonious Habitat Living a Happy Life

Domestic Representative Cases



Beijing Yongjing Four Seasons



Hebei Shengshi Taocheng



Anhui Fuyang Dwelling Area with Clear Water and Blue Sky
Beneficial for Occupant



Guangda Group Splendid Scence Residential



Hunan Changde Ideal Garden



Hubei Wuhan Caidian No.1 Mansion



Zhongmu Dietu Community of Greenland



Dongguan Xinghe Legend Hetang Yuese



Yunnan Yulong Garden



Xinshuiqiao Kangju, Xingqing District, Yinchuan



YuFu Royal Time city



Hong Kong Trend Plaza



Henan Jiuyu Real Estate Co., Ltd



Jiangxi Sunshine Golden Home



IDCC Shopping Center of Malaysia



ibis hotels of Singapore



Imperial Hotel of Malaysia

Building a Harmonious Habitat Living a Happy Life

Foreign Representative Cases



Australian Cancer Rehabilitation Center



Sheraton Grand Hotel of Nigeria



UAE IBIN Government Medical Center



Centro De Especialidades Medicas of Venezuela



University of Philippines



Singapore Industrial Building



National University of Science and Technology of Iraq



JKCC Shopping Center of Malaysia

HUMAN TECHNOLOGY FOR SAFE ARRIVAL

Diameter ratio of traction sheave and hoisting rope is 25% higher than national standard and Steel Rope service life is 2 times longer than before

For the purpose of safety and longevity, diameter ratio of traction sheave and steel rope is 50 which is 25% higher than national standard(40) and the service life of steel rope last 2 times longer than before which are able to lower elevator maintenance costs.

Higher Standard than National Standard of Landing Door Strength Test

Through the strength test by using 45kg pendulum from 1100mm (national standard requirement is 800mm) height free fall strike the landing door, effectively deal with reckless strike, to prevent passengers from falling into the shaft.

25%

Rope ratio is higher than International

2 times

Steel wire rope life extension

1100mm

Pendulum test height exceeds national standard

UCMP for Preventing Unintended Car Movement

Patent No. 201320606488.3

Unintended car movement protection system(UCMP) prevents car unintended movement in the door opening area, prevents the risk of accidental movement of the car, and protects the safety of the passengers.

Anti-loosen Detection of Steel Rope for Protecting Riding Safety

Patent No. 201420470694.0

Whole-process real-time detected by anti-loosen detection of steel rope device. The elevator stops running immediately ensuring passengers safety if steel rope loose.

Alarmed for Overloading Alert by Precisely Weighing Technology

Patent No.201410337015.7

Accurately measure car load at each landing floor by using the industry-leading weighing technology to avoid potential safety hazard and accidental injuries caused by overloading.

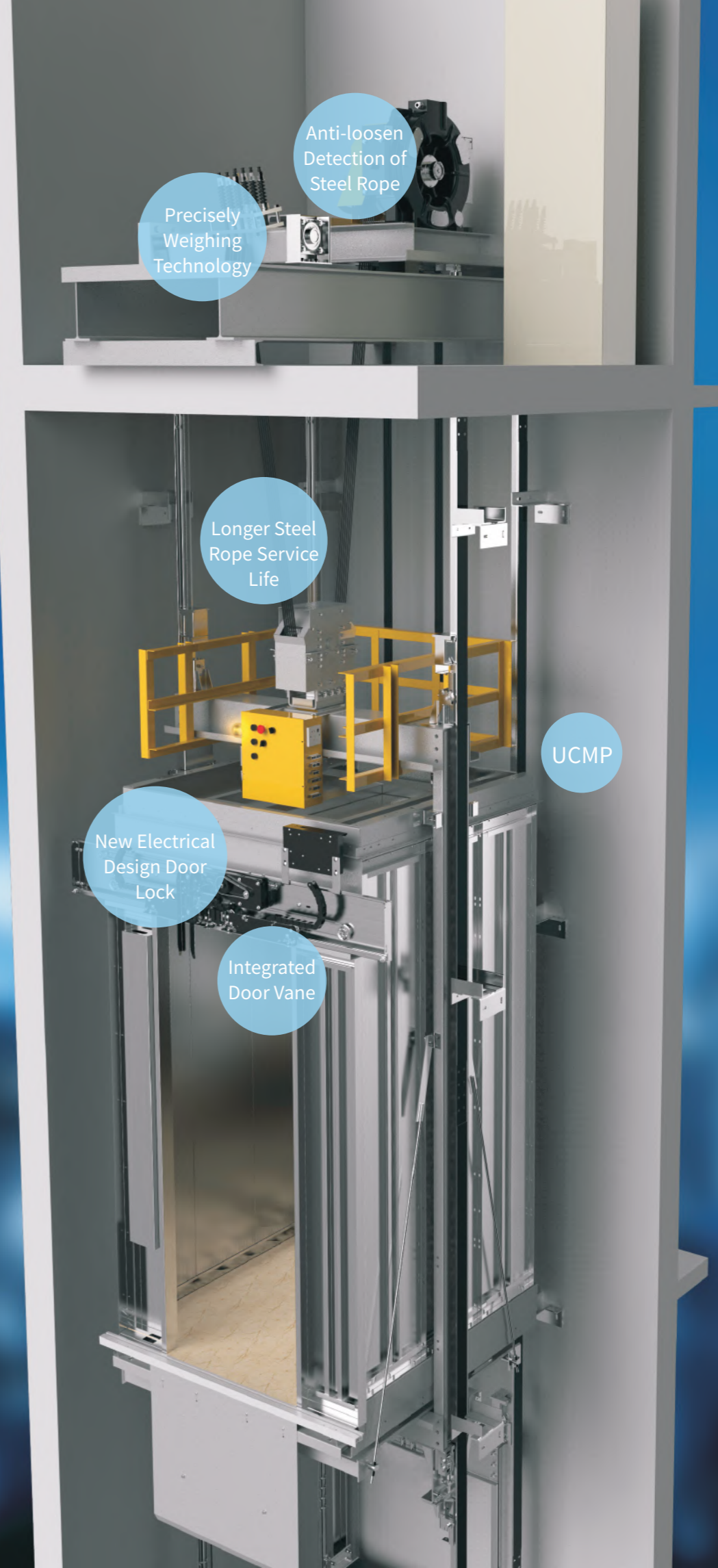
New Electrical Design Door Lock for Preventing Risk of Door Lock Short-circuited

Patent No. 201621450975.5

Prevent electrical circuit of elevator door lock and switch contact of door lock being man-made short circuit cause elevator to operate in the door opening condition, thus avoiding the risk of accident.

Integrated Door Vane Reduces Failure of Door Opening

Prevent electrical circuit of elevator door lock and switch contact of door lock being man-made shortThe new integrated door vane is a collection of aesthetic design, easy installation, commissioning, safe and reliable operation to reduce the door opening failure.





COMFORTABLE EXPERIENCE WITH LOW ENERGY CONSUMPTION



Germany TÜV Class A Energy-efficient Certificate

Metis-CR1 acquired VDI 4707 PART 1 highest grade A certification certified by the German TÜV energy-efficiency testing so winning a large number of high-standard customers and industry appreciation in the Chinese market.

Noise Reduction Device, Quiet Ride Enjoyment

Eliminating the collision sound of terminal station and achieving no noise, no vibration speed change experience quiet riding through the non-contact magnetic induction technology.

Direct landing technology for steady and comfortable experience

Passengers enter and leave car as if at flat floor, directly landing, accurate positioning, to achieve elevator operating efficiency and comfort experience.

Intelligent Control System for Energy-Saving

The IFE responds to the needs of green environmental protection. The intelligent control system can automatically switch the lighting and ventilation to the standby mode to create a green-driven elevator when no one is taking the elevator.



Authoritative CE Certification; EU Electromagnetic Compatibility EMC Standard

Product is CE-approved and complies with EMC and environmental standards. Giving passengers safety protection by low radiation without electromagnetic pollution.

Ceiling with Dual Fans Creates a Refreshing Space

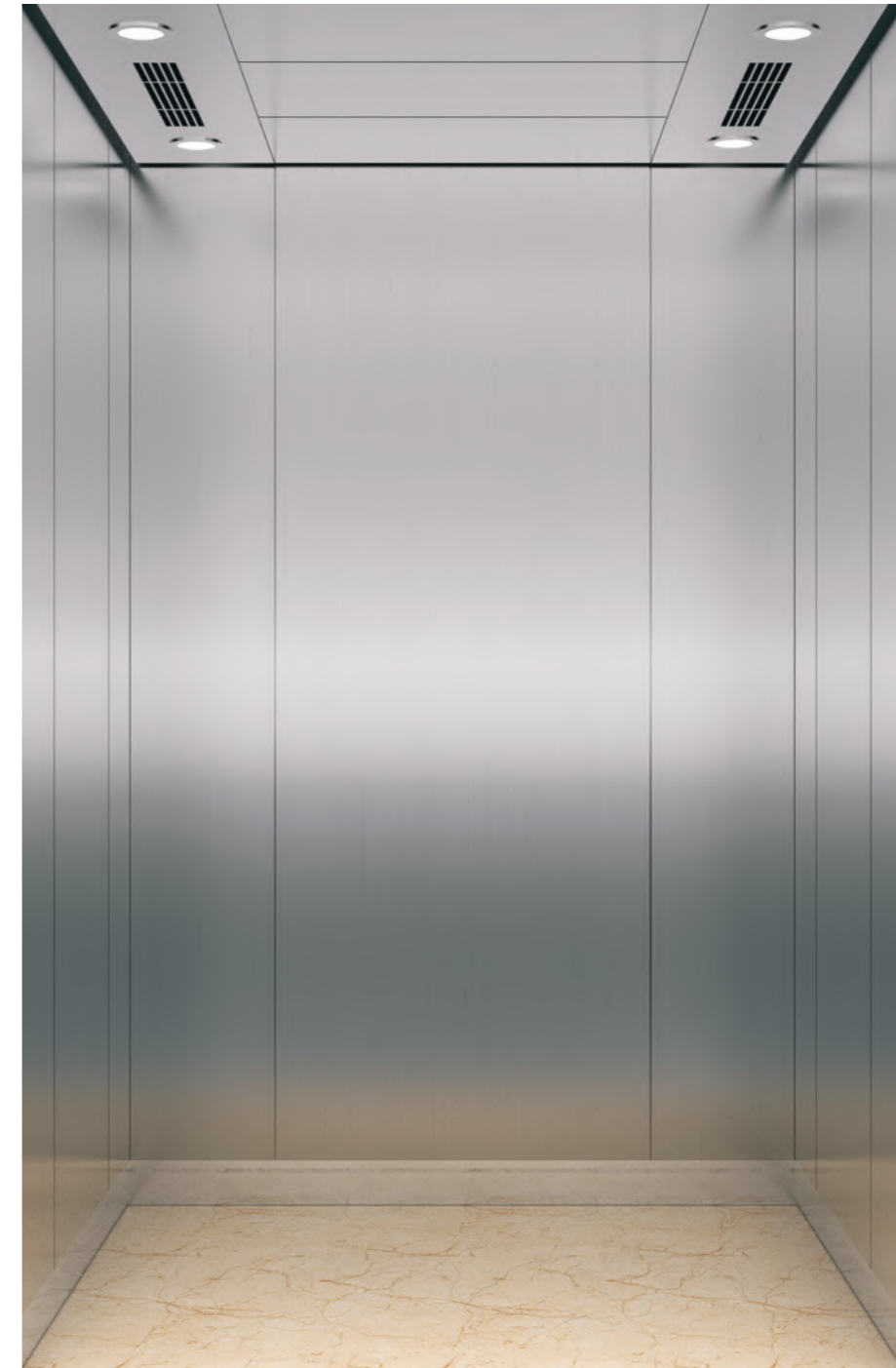
Dual fans are exclusively adopted on full series of IFE ceilings. The air outlets are positioned on both sides of ceiling, which accelerates the speed of air circulation inside and outside the car, creating a more refreshing, comfortable and clean space for elevator.





STANDARD CONFIGURATION

Comfortable and pleasant while enjoying different space experiences which is clean, tidy and easy- maintained.



CAR75-11

Note: Trap door can be available on C19 ceiling.

COP: COP34-00 Hairline Stainless Steel / Dark Grey Acrylic / Dot Matrix Display in White

Celling: C19-00 Hairline Stainless Steel / LED Ceiling Light

Car Wall: CW03-00 Hairline Stainless Steel

Car Door: L01-00 Hairline Stainless Steel

Floor: F01-00 Wear-proof PVC



OPTIONAL CONFIGURATION

Variety of car decoration style, new and stylish decoration design



CAR75-09

Note: Trap door can be available on C19 ceiling.

COP: COP39-01 Mirror Stainless Steel / Dark Grey Acrylic/ Dot Matrix Display in White

Ceiling: C19-00 Hairline Stainless Steel / LED Ceiling Light

Car Wall: CW03-07 Front Wall Mirror Stainless Steel

Rear Wall: Mirror Stainless Steel / Middle: Hairline Stainless Steel

Car Door: L01-00 Hairline Stainless Steel

Floor: F01-00 Wear-proof PVC

OPTIONAL CONFIGURATION

Variety of car decoration style, new and stylish decoration design



CAR75-08

COP: COP39-01 Mirror Stainless Steel / Dark Grey Acrylic / Dot Matrix Display in White
Ceiling: C17-00 Hairline Stainless Steel / Translucent Acrylic Tubes / PC Translucent Panel
Car Wall: CW03-06 Front Wall Mirror Stainless Steel
Side Wall: Front Wall Mirror Stainless Steel+Hairline Stainless Steel
Rear Wall: Side Wall Hairline Stainless Steel+Middle Mirror Stainless Steel
Car Door: L01-00 Hairline Stainless Steel
Floor: F01-01 Wear-proof PVC

OPTIONAL CONFIGURATION

Variety of car decoration style, new and stylish decoration design



CAR75-10

COP: COP39-00 Hairline Stainless Steel / Dark Grey Acrylic / Dot Matrix Display in White
Ceiling: C28-00 Hairline Stainless Steel / PC Translucent Panel / LED Ceiling Light
Car Wall: CW03-08 Front Wall Hairline Stainless Steel
Side Wall: Hairline Stainless Steel
Rear Wall: Side Wall Hairline Stainless Steel+Middle Mirror Stainless Steel
Car Door: L01-00 Hairline Stainless Steel
Floor: F01-04 Wear-proof PVC

OPTIONAL CONFIGURATION

Variety of car decoration style, new and stylish decoration design



CAR80-02

COP: COP34-00 Hairline Stainless Steel / Dark Grey Acrylic / White Segment LCD Display
Ceiling: C99-09 Hairline Stainless Steel / LED Ceiling Light / Mirror ST.ST. Etching
Car Wall: CW01-05 Front Wall Hairline Stainless Steel
Side Wall: Hairline Stainless Steel / Middle: Mirror ST.ST. Etching
Rear Wall: Hairline Stainless Steel / Middle: Mirror ST.ST. Etching
Car Door: L01-00 Hairline Stainless Steel
Floor: F01-01 Wear-proof PVC

OPTIONAL CONFIGURATION

Variety of car decoration style, new and stylish decoration design



CAR80-04

COP: COP34-00 Hairline Stainless Steel / Dark Grey Acrylic / White Segment LCD Display
Ceiling: C08-00 Hairline Stainless Steel / LED Ceiling Light / Translucent Acrylic Tubes
Side Wall: CW01-00 Front Wall Hairline Stainless Steel
Side Wall: Hairline Stainless Steel / Middle: Mirror ST.ST. Etching
Rear Wall: Hairline Stainless Steel / Middle: Mirror ST.ST. Etching
Car Door: L01-00 Hairline Stainless Steel
Floor: F01-07 Wear-proof PVC

OPTIONAL CONFIGURATION

Variety of car decoration style, new and stylish decoration design



CAR80-06

Note: Trap door can be available on C17 ceiling.

COP: COP34-00 Hairline Stainless Steel / Dark Grey Acrylic / White Segment LCD Display

Ceiling: C17-00 Hairline Stainless Steel / Translucent Acrylic Tubes / PC Translucent

Car Wall: CW01-07 Front Wall Hairline Stainless Steel

Side Wall: Side Wall Hairline Stainless Steel / Middle: Mirror ST.ST. Etching

Rear Wall: Side Wall Hairline Stainless Steel / Middle: Mirror Stainless Steel

Car Door: L01-00 Hairline Stainless Steel

Floor: F01-04 Wear-proof PVC

CEILING

(Standard + Optional Configuration)



C19-00(Std) Hairline stainless steel / LED Ceiling Light
Note: Trap door can be available on C19 ceiling.



C08-00(Opt) Hairline Stainless Steel/
Translucent Acrylic Tubes / LED Ceiling Light



C17-00(Opt) Hairline Stainless Steel / PC Translucent
Panel / Translucent Acrylic Tubes



C29-00(Opt) Hairline Stainless Steel / LED Ceiling Light



C28-00(Opt) Hairline Stainless Steel / PC Translucent Panel/
LED Ceiling Light



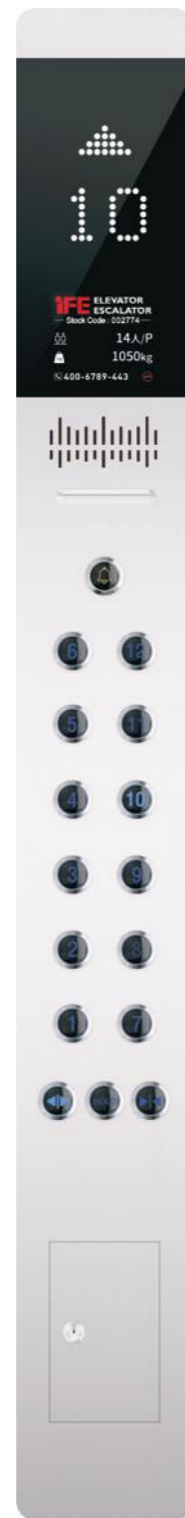
C99-09 (Opt) Hairline Stainless Steel / LED Ceiling Light /
Mirror ST.ST. Etching

DECORATING CONFIGURATION

COP(Standard + Optional Configuration)



COP34-00(Standard)
Plate: Hairline Stainless Steel
Display: Dot Matrix in White



COP39-00(Optional)
Faceplate: Hairline Stainless Steel
Display: Dot Matrix in White

Note: Braille is not available on such button.

HOP (Standard + Optional Configuration)



HOP37-00(Standard)
plate: Hairline Stainless Steel
Dark Grey Acrylic
Display: Dot Matrix in White



HOP41-00 (Optional)
Plate: Hairline Stainless Steel
Dark Grey Acrylic
Display: Dot Matrix in White

Note: Braille is not available on such button.

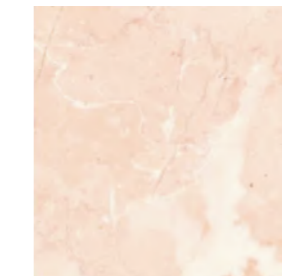


HOP39-00 (Optional)
Plate: Hairline Stainless Steel
Dark Grey Acrylic
Display: Dot Matrix in White

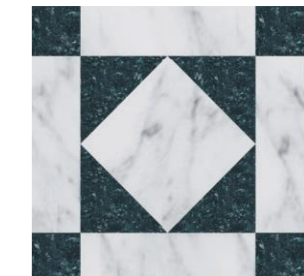
PVC Floor (Standard + Optional Configuration)



F01-00(Standard)



F01-01(Optional)



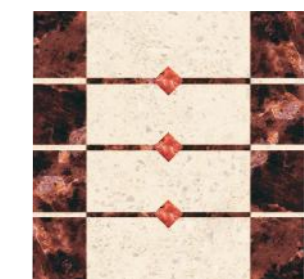
F01-03(Optional)



F01-04(Optional)

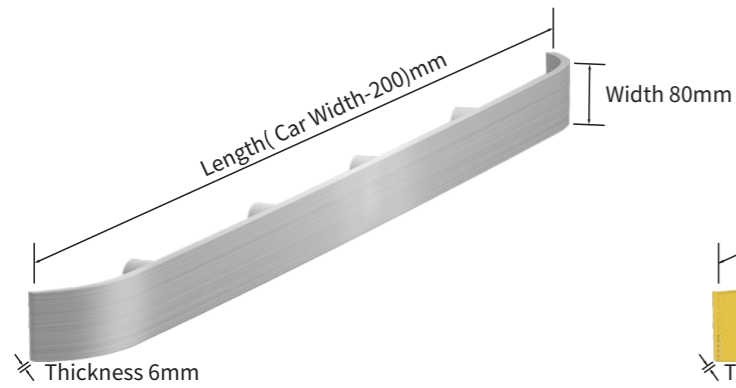


F01-05(Optional)

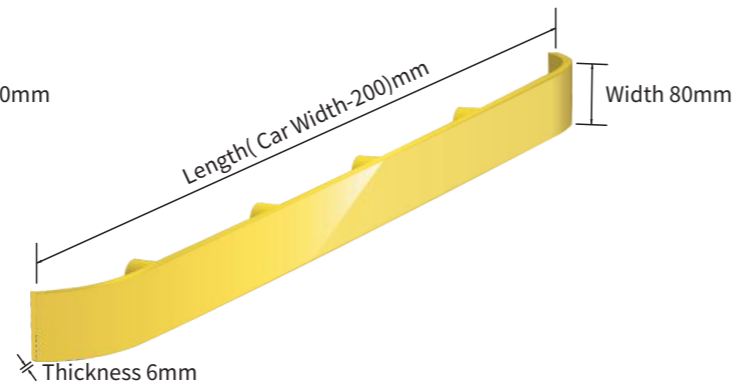


F01-07(Optional)

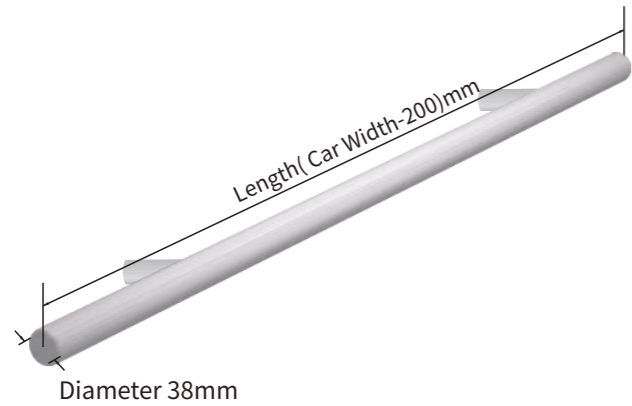
Handrail (Optional Configuration)



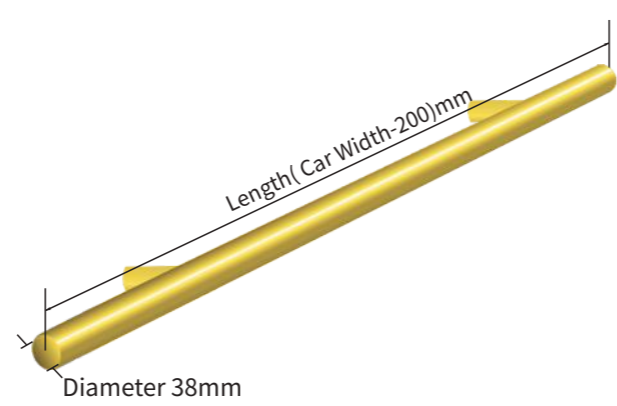
H01-00 (Flat Elbowed Handrail) Hairline Stainless Steel
H01-01 (Flat Elbowed Handrail) Mirror Stainless Steel



H01-02 (Flat Elbowed Handrail) Golden Mirror Stainless Steel



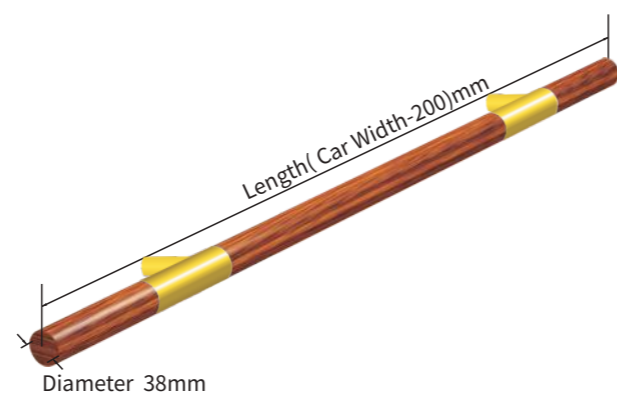
H05-00 (Round Handrail) Hairline Stainless Steel
H05-01 (Round Handrail) Mirror Stainless Steel



H05-02 (Round Handrail) Golden Mirror Stainless Steel



H06-00 (Wooden Round Handrail) Black Walnut Round Handrail + Mirror ST.ST. Bracket



H06-01 (Wooden Round Handrail) Black Walnut Round Handrail + Golden Mirror ST.ST. Bracket

Door Panel (Standard + Optional Configuration)



Landing Door: L01-00(Std) Hairline Stainless Steel (Home Floor)
L01-05 (Std) Painted Steel -Matt Grey(Other Floor)
Door Jamb: LDJ01-00(Std) Hairline Stainless Steel (Home Floor)
LDJ01-01(Std) Painted Steel -Matt Grey(Other Floor)



Landing Door: L02-02(Opt) Mirror ST.ST. Etching
Door Jamb: LDJ01-00(Std) Hairline Stainless Steel



Landing Door: L02-06(Opt) Mirror ST.ST. Etching
Door Jamb: LDJ01-00(Std) Hairline Stainless Steel



Landing Door: L02-08(Opt) Mirror ST.ST. Etching
Door Jamb: LDJ01-00(Std) Hairline Stainless Steel

METIS-CR1 PASSENGER ELEVATOR

BASIC FUNCTION

Operation Functions

01	Full Selective Collection	Collect at the calling signals to answer selectively based on the signal control system
02	Full Load By-pass	No response to the hall calling signal when the lift is at full load in automatic mode, but only answers the car calling signal
03	Car Call Reset	Double click the COP button to cancel the wrong command to achieve car call reset
04	Door Open/Close Button	Micro buttons on the cop to control the door open/close so that passengers could handle the open/close timing flexibly
05	Door Open/Close Button Light	Door open/close button light lights up to indicate the successful answer
06	Resume Operation in Power Supply	When the position signal is failed to retain or not sure about the elevator position after a power failure, the elevator would go to the end floor to re-position and be back to normal running
07	Automatic Home Landing	The elevator would be back to base floor to stand by under automatic condition if there is no calling command within the setting time
08	Anti- nuisance Car Call Protection	The computer detects the load and number of car calling registration then judges the command by logic. All signals will cancel if the command is not quite normal
09	Door Reopening by Landing Call	Push the HOP button same as the elevator going direction when the door is closing, then the door will reopen
10	Torque Compensation in Start	The system will calculate as per the load in elevator and optimize the torque compensation to give more comfort when the elevator starts
11	Direct Landing Technology	Micro-computer controller automatically calculates the optimum speed profile according to the target floor distance and directly lands without crawling

Safety Functions

12	Safety Loop Protection	When the elevator falls, elevator microcomputer control system will report the fault code based on the preset fault code to bring convenience to maintenance staff
13	Absent or Mistaken Epsilon Phase Device	When the power supply is off phase or phase sequence is wrong, system safety circuit will be disconnected and the elevator will stop running
14	Overload Protection	When the car is loaded beyond the rated load, overloading buzzer will sound to alert. At this moment, the door is not closing and the elevators is not working
15	Safety Curtain with Multiple Light Beams	System forms dense infrared across the door. When a person or object enters the detection area, the system will response sharply in order to protect passengers from the risk of door
16	Door Reverse	The door is subjected to a reverse resistance exceeding the preset torque value when it is closing, the elevator will reopen
17	Door Interlock Protection	When the landing door and car door are both in normally closed status, the elevator will operates normally only when the control system judges the elevator is normal
18	Landing Zone Guard	For safety reason, the car door cannot open in the non-leveling area
19	Downward Over Speed Protection	When the downward speed of elevator exceeds a specified speed, the governor will take action and the safety circuit will be cut off while safety gear brakes, then the car stops on the guide-rail
20	Upward Over Speed Protection	When the upward speed of elevator exceeds a specified speed, the governor will take action and the safety circuit will be cut off while the action machine brakes, then the car stops
21	Reversal Movement Guard	When the system detects the actual running direction is inconsistent with the specified direction, the car stops immediately and alarms
22	Brake Guard	Brake relay signals are being monitored in the entire process, when the brake relay finds the actual states is inconsistent with the specified command, the system will stop the elevator operating
23	Contractor Non-releasing Protection	No matter the elevator is running to the terminal station and the operating speed is not reduced to a preset value, the system will be forced to slow down to ensure the safe operation of elevator

BASIC FUNCTION

Safety Functions

24	Speed Limited Switching in Terminator	When the elevator passes over the terminal nation and the operating state, the system will output the contractor condition. Once, the contractor is in abnormal state, the system will stop the elevator operating
25	Buffer Safety Protection	When the elevator passes over the terminal floor for some reason, car buffer and counterweight buffer will star the protection and the safety circuit will be cut off in the meantime
26	Microcomputer self-check Protection	The system scans the input and output points of controller before the start of elevator. The elevator will stop starting if the data is abnormal
27	Anti-locked-rotor Feature of Motor	If the traction machine does not run due to mechanical jamming when the elevator is starting operating and it exceeds the preset timing, the system will stops the elevator operating
28	Fault Storage	The computer stores the accidental record of elevator. It can be supplied to elevator manufacturers and maintenance staff for statistical analysis
29	Star Closure Method	When the brake fails and leads to an unintended movement of elevator, the three-phase winding of the permanent magnetic synchronous motor will be in short circuit and turn to power generation state. It drives the elevator running at the speed of 0.1m/s and eliminates the risk of high-speed slip to ensure the safety of passengers
30	Hoisting Rope Anti-loose Detection	The hoisting rope is under real-time detection during the elevator operation and when single or multiple hoisting ropes are detected to be stack relaxation, the elevator stops immediately
31	Electronic Weighting	Electronic weighing accurately measures the weight of each landing of the car and suppliers and signal to the control system in order to achieve the anti- nuisance, full load by-pass and overload protection
32	Brake Monitoring Device	Brake monitoring device detects if the left and right sides of the brake action are consistent or reliable. If they are inconsistent or unreliable, the control system will automatically report to the brake fault detection, so that the motor stops running to prevent the traction machine brake failure
33	Door Circuit Detection	When the car is in the unlocking area, the car door is opened and the door lock is released, the electrical safety device for checking the closed position of the car door, for checking the position of the door locking device and the correct operation of monitoring signal can be monitored. If the fault is detected, the elevator will not operate normally

Special Operation

34	Attendant Operation	By opening the switch in COP, the elevator will be turned into the attendant operation state so the driver may manage the number of passengers in the car, hall call response and opening/closing doors
35	By-pass Switch	After entering the driver operation state, pressing by-pass button before the start, the elevator does not respond external call in the next course of operation, and goes straight to the floor with the registration by drivers operating instructions in the car
36	Buzzer	When the elevator is the drive operation state, buzzer will sound to alert the drives that someone is calling if it is registered by external call
37	Independent Service	The dedicated operation function, when the elevator no longer responds to the call signal outside the hall, but can only be manually controlled to open and close the door
38	Main Floor Setting	According to site requirements by setting the main station based on basic parameters, the elevator will return to the preset floor when it exceeds a specified timing without any operations
39	Firefighting Floor Settings	According to site requirements by setting fire man service floor based on the basic parameters, the elevator will land to the preset floor when inputting the fireman service signal
40	Inspection Operation	Pressing direction buttons on the junction box at car top to control the elevator to go forwards the direction selected or opening, closing buttons to control the operation of doors makes the maintenance faster and more convenient
41	Flexible Car Park Set	Clients can decide the elevator stops or not on a specified floor

Energy Saving Function

42	Parking Service	When the key switch on the preset floor takes action the elevator will return to the locking floor and then close the door and turn in sleeping state after answering all the callings
43	Automatic Turn on/off	Under the circumstance without any operation instructions, the elevator will enter automatic turn on/off mode within the preset timing and closing door, turning off the lights and fans inside the car

METIS-CR1 PASSENGER ELEVATOR

BASIC FUNCTION

Human Machine Interface

44	LCD Display Inside the Car	LCD simply on the COP shows the information about floors and directions
45	Hall LCD Display on the First Floor	Hall LCD display shows the information about floors and directions
46	Floor Mark Flexible Set	The type of words special floors can be customized regarding to the requirements
47	Arrival Chime	Arrival chime will sound when the elevator is arriving at a certain floor
48	Hall Call button dim light reminder function	When in the standby state, the button is in a slightly bright state, which is convenient for a passenger with poor eyesight to observe the position of the call button, and when the call button is pressed, the button light becomes fully illuminated
49	COP button dim bright buzzer reminder function	When in the standby state, the button is in a slightly bright state, which is convenient for the passenger with poor vision to observe the position of the car button. When the car command button is pressed, the button light becomes fully illuminated with a buzzer reminder
50	Open the door to maintain the delay function	After the elevator opens the door, press the delay button and then automatically close the door after the delay time

Emergency Functions

51	Car Alert Button	Passengers can inform the outside in time by pressing the car alert button under special circumstance
52	Emergency Lighting inside the Car	Emergency light inside the car can be used during power outage
53	Intercom Device	Intercom device can give realization of 5 party conversations among car, pit, car top, machine room and monitoring center. Clients are supposed to supply a wire form monitoring center to the first floor. Specifications:4x0.75mm2(distance no more than 1800 meters)
54	Fire Emergency Landing	Elevator will cancel all calling signals and go straight to the fire man service floor after receiving the fire signal. It will also keep the door opening and wait for the operation of fire man. It will return to normal use when the fire signal is canceled
55	Fire Emergency Landing Feedback	The system will give a signal to the management center to indicate the elevator has received the fire signal and is waiting for the operation of firemen after the elevator receiving the fire signal and being back to the fire man service floor
56	Emergency Rescue	When the safety gear, oil buffer, upper limit switch, lower limit switch and governor take action, operating the emergency rescue function in the control panel makes the elevator run slowly in order to swiftly save people

OPTIONAL FUNCTION

01	UCMP	When the elevator is stopping at the leveling floor and the landing door or the car door is not totally closed, the car is unintended moving t and leaves the lock open area, then the elevator is forced to stop if the UCMP dashboard detects danger signals so that it protects the passengers
02	Landing Door & Car Door Bypass Devices	In order to maintain the contact of the landing door and the car door (including the door lock contact), a bypass device is provided on the control cabinet. When by passing the device, the contacts of the landing door and the car door cannot be bypassed at the same time. In the bypass state, only the operation or emergency electric operation can be repaired, and the sounding device and the car bottom setting flashing light are set on the car to give an alarm promptly

OPTIONAL FUNCTION

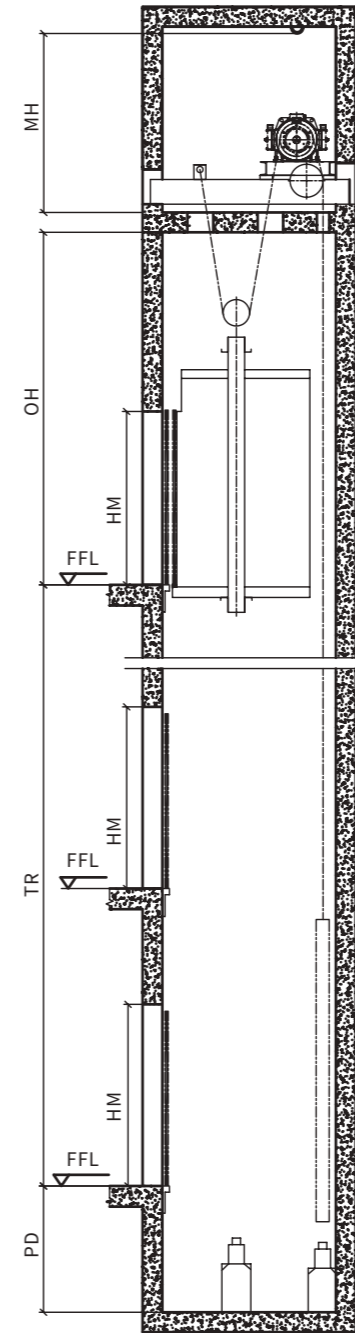
03	Parallel Operation	The two elevators transmit data through serial communication to realize the mutual coordination of the call elevator instructions outside the hall and improve the operation efficiency
04	Group Control Operation	The group control system can centrally control 3-8 elevators so that the elevator group can automatically select the most appropriate response. It can shorten the waiting time for passengers, improve the operation efficiency and save energy
05	Ahead of the Door	It is function that there is opening door in the process of landing as soon as the elevator enters the unlocked area
06	Opening the Door Before Landing Runs	In the period that that elevator stops to open the door, while inspecting that the gap between car and landing leveling is greater than specified value, elevator operates automatically to make the leveling of car parallel with that of landing
07	Automatic Rescue Operator	If there is power outage during elevator normal operation, the operator will carry out an instant response. The elevator will stop at the nearest landing with low speed, and the door will be open to evacuate the passenger
08	Air Conditioner Installed In Elevator	We can add the elevator air conditioner according to customers' requirement
09	Power Feedback Function	The reciprocating lifting and repeated braking of the elevator operation lead to the release of potential energy and kinetic energy of the elevator respectively. When the power feedback function is in use, the potential energy and kinetic energy released by the elevator are converted into electrical energy with the same frequency and phase as the power grid and the feedback reach to the power grip. The purpose of energy conservation can be achieved via power feedback function
10	Monitoring System	It is realizable for intelligent management system to monitor the elevator from all aspects by the microcomputer in the community
11	IC Card User Management in the Car	Passengers can only summon the elevator by swing a card in the car
12	IC Card User Management Outside the Hall	Passengers can only summon the elevator by swing a card at the outside call
13	VIP Card Bypass	Passengers will arrive at the destination floor directly through the VIP card system
14	Lift Car vice-Operation Panel	It is convenient for passengers to operate the instructions to the destination floor
15	Operational Panel for the Disabled	It is convenient for the disabled to operate the instructions to the destination floor
16	Voice Broadcast System	The elevator voice broadcasting system reports the operation status of the elevator, floor information, the comforting voice for the abnormal status of the elevator (Get trapped because of the fault, ARD operation and car position correction, etc.)
17	Braille Buttons	Braille buttons are used in the operational panel and outside call of the car, which is convenient for the blind and visually impaired passengers
18	Accessibility Function	It is equipped with two sides handrails, rear wall mirror, voice broadcast system, braille buttons and operational panel for the disabled
19	Multi-Console Intercom	If the five-party intercom system of multiple elevators needs to be unified to the monitoring center, it is necessary to set up multi-console intercom host
20	Video Monitoring Cable	If video monitoring of the car is needed, video monitoring cable of the elevator car shall be configured
21	Emergency Door to the Shaft	When the distance between the two adjacent floors is greater than 11m, there should be an emergency door in the middle of the shaft
22	Trap Door	The trap door can be set up to facilitate rescue
23	Counterweight Safety Gear	It is necessary to set up a counterweight safety gear when there is an overpass or space under the elevator shaft
24	Imported Light curtain Protection	The imported light curtain forms a dense infrared cross ray curtain at the entrance of the elevator, which can make a keen response to the people or objects entering the detection area to protect the safety of passengers entering and leaving the door

METIS-CR1 TECHNICAL SPECIFICATION

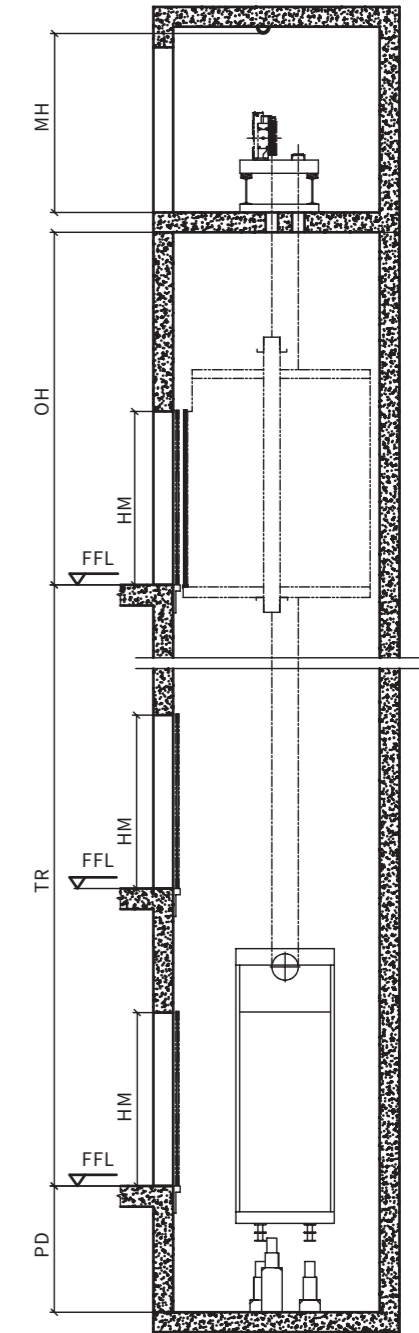
NO.	Specification	630		800		1050			1350			1600						
01	Capacity (kg)	630		800		1050			1350			1600						
02	Speed (m/s)	1.0	1.75	1.0	1.75	2.0	1.0	1.75	2.0	2.5	1.0	1.75	2.0	2.5				
03	Operation System	full collective selection operation																
04	Driving System	VVVF																
05	Door Operator System	VVVF																
06	Traction Machine	Permanent Magnet Synchronous Gearless type																
07	Control System	CTRL 80 / CTRL 70A / CTRL 71																
08	Communication	canbus serial communication																
09	Parallel Elevators	2 units(Optional)																
10	Group Control Elevators	3-8 units(Optional)																
11	Wide Car	Car Size mm W*D*H	1400*1100*2420		1400*1350*2420		1600*1500*2420			1950*1500*2420			1950*1750*2420					
		Opening mm W*D	800*2100		800*2100		900*2100			1100*2100			1100*2100					
		Shaft Size mm W*D*H	2000*1750		2000*2000		2200*2100			2600*2200			2600*2500					
12	Deep Car1	Car Size mm W*D*H	---		1200*1600*2420		1300*1750*2420			1700*1750*2420			1700*2000*2420					
		Opening mm W*D	---		800*2100		900*2100			1100*2100			1100*2100					
		Shaft Size mm W*D*H	---		2000*2000		2200*2100			2600*2200			2600*2500					
13	Deep Car2	Car Size mm W*D*H	---		---		1100*2100*2420			1200*2400*2420			1400*2400*2420					
		Opening mm W*D	---		---		900*2100			900*2100			900*2100					
		Shaft Size mm W*D*H	---		---		2050*2500			2150*2750			2400*2800					
14	Travel Height	≤45	≤75	≤45	≤75	≤110	≤45	≤75	≤110	≤120	≤45	≤75	≤110	≤120				
15	Traction Machine Position	In the Machine Room																
16	Overhead Height	4250	4450	4250	4450	4550	4250	4450	4550	4800	4350	4550	4650	4900	4350	4550	4650	4900
17	Pit Depth	1500	1600	1500	1600	1700	1500	1600	2000	2150	1800	1950	2000	2150	1800	1950	2000	2150
18	Rated Power (kW)	5	10.1	6.2	9.6	11.1	8.0	13.3	15.6	19.5	9.3	16.5	19.2	23.8	11.4	20.6	24.5	30.7
19	Rated Current (A)	14	22	15	22	25	20	29	34	46	22	38	44	54	27	46	55	64
20	Starting Current (A)	21	33	22.5	33	37.5	30	43.5	51	69	33	57	66	81	40.5	69	82.5	96
21	Brake Voltage (V)	start at DC 110V maintain at DC 68V																
22	Power Supply & Min. Wiring Requirement	380V, 50Hz, 3-phase 5-wire, zero wire and ground wire separated, see requirements on the shaft plan drawing																
		3*6mm ² +2*6mm ²		3*10mm ² +2*6mm ²		3*6mm ² +2*6mm ²		3*10mm ² +2*6mm ²			3*10mm ² +2*6mm ²			3*16mm ² +2*10mm ²		3*10mm ² +2*6mm ²		3*25mm ² +2*16mm ²

Note:
 1. Deep car is used for specified application, such as for stretcher delivery in evacuation occasions.
 2. Car height is 2420mm when select standard C22 series ceiling (height 80mm). Car height may vary due to different type of ceilings.

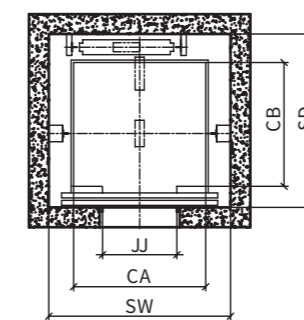
Wide Car Shaft Section Drawing



Deep Car Shaft Section Drawing



Wide Car Shaft Plan Layout



Deep Car Shaft Plan Layout

